

CATÁLOGO REFERENCIAL



# VEHÍCULOS

TRANSMISIONES CARDAN POR MARCA



[WWW.CARDYFREN.COM](http://WWW.CARDYFREN.COM)





## INFORMACION GENERAL

El objetivo de este catalogo es el de facilitar a nuestros clientes una información útil para identificar las transmisiones cardan y las piezas de recambio necesarias para efectuar una reparación o construir un cardan completo.

No deberá ser considerado como un catalogo de aplicación o dimensional y su contenido será puramente orientativo. Para más detalle le recomendamos contactar con nuestro departamento técnico o distribuidor. Cardyfren S.L. no se responsabilizará de cualquier aplicación incorrecta que no haya sido aprobada por escrito. Este catalogo no recoge la totalidad del producto del que dispone Cardyfren S.L. sino lo más representativo, por lo que les recomendamos que contacten con nosotros para cualquier consulta o articulo que no hayan localizado.

Todas las dimensiones están expresadas en milímetros (mm.) y algunos valores son aproximados o han sido redondeados a una cifra.

Cardyfren S.L. no se responsabiliza de los errores u omisiones eventuales que hayan podido darse durante la confección de este catalogo.

Cardyfren S.L. se reserva el derecho de modificar los datos y el contenido de este catalogo sin previo aviso.

El uso de códigos o números de referencias de equipo original es solo para información y motivos comparativos.

## GENERAL INFO

The aim of this catalogue is to facilitate a useful information to our customers in order to identify cardanshafts and their components necessary to carry out a repair or to construct a complete universal joint.

It will not have to be considered as a catalogue for application or exact dimensions and its content will be purely guiding. For more details, we recommend you to contact our technical department or our distributor.

Cardyfren, S.L. does not take responsibility of any incorrect application that has not approved in writing.

The present catalogue does not gather the totality of the products which Cardyfren, S.L. has, but the most representative, for what we kindly request of you to contact us for any consult or article you may not have located.

All the dimensions are expressed in millimeters (mm) and some values are brought near or rounded to a number. Cardyfren, S.L. does not take any responsibility of the mistakes or eventual omissions that may have occurred while confectioning the present catalogue.

Cardyfren, S.L. reserves itself the right to modify the information or content of the catalogue without previous notice.

OE and Original Part Numbers and references are for information and comparison purposes only.

Para cualquier información contactar con / For any information contact to:

### **CENTRAL / MAIN CENTER**

C/ Nacional III, Parc. 7.

Subpoligono II "El Oliveral"

46394 RIBARROJA DEL TURIA - VALENCIA (ESPAÑA)

TEL.: (34) 96 166 51 79 FAX.: (34) 96 166 52 05

E-mail: [cardyfren@cardyfren.com](mailto:cardyfren@cardyfren.com)

WEB: [www.cardyfren.com](http://www.cardyfren.com)

### **SUCURSAL / BRANCH WORKSHOP**

C/ Electrónica, 30.

Polig. Ind. Urtinsa

28923 ALCORCÓN - MADRID (ESPAÑA)

TEL.: (34) 91 127 81 11 FAX.: (34) 91 641 02 32

E-mail: [madrid@cardyfren.com](mailto:madrid@cardyfren.com)

WEB: [www.cardyfren.com](http://www.cardyfren.com)



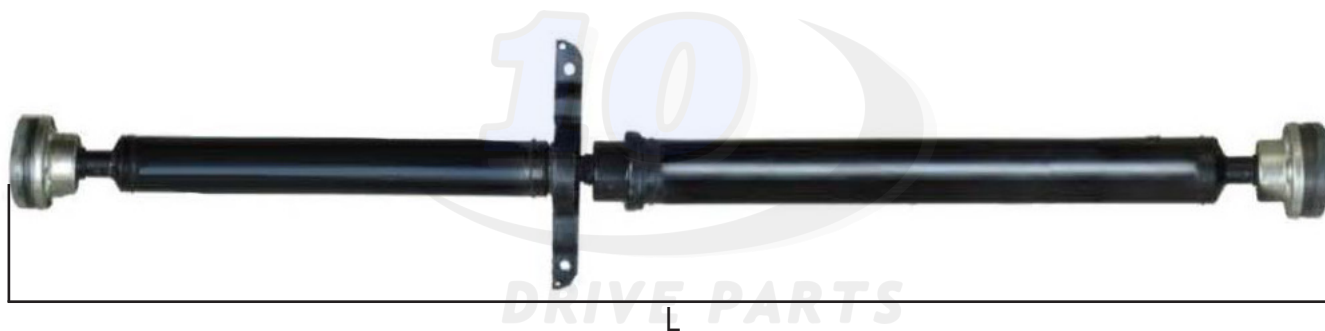


## ÍNDICE

AUDI.....	1
BMW.....	1
CASE.....	2
FIAT.....	3
FORD.....	3
HONDA.....	4
HYUNDAI.....	4
ISUZU.....	5
IVECO.....	5
JCB.....	6
JEEP CHEROKEE.....	6
JOHN DEERE.....	7
KIA.....	8
LAND ROVER.....	8
SANTANA ANIBAL.....	9
MAN-IVECO.....	9
MANITOU.....	10
MASSEY FERGUSON (FERMEC).....	10
MERCEDES BENZ.....	11
MITSUBISHI.....	13
NISSAN.....	14
PIAGGIO.....	16
RENAULT.....	16
SANDERSON.....	17
SSANGYONG.....	17
SUZUKI.....	18
TOYOTA.....	18
UNIMOG.....	19
VOLKSWAGEN.....	19
FORKLIFT (CARRETILLA ELEVADORA).....	20



## AUDI



REF. CARDYFREN	MODELO	L	REF. ORIGINAL
AUQ79228137	Q7	1455	7L8521102C
AUA4921480	A4	1480	8K0521101G
AUA6921670	A6	1670	4B0521106D/F

## BMW



REF. CARDYFREN	MODELO	Lz	REF. ORIGINAL	FIG.
BMW3950718	X3 E83 DELANTERA	718	26207526677	1
BMW3950700	X3 E83 DELANTERA	700	26203401609	1
BMW5950657	X5 E53 DELANTERA	657		1
BMW5000774-548	X5 E53 DELANTERA	774	26207508629	3
	X5 E53 TRASERA	1277	26107503101	
	531Li 2009 TRASERA	1768	26107573528	
BMW5310709	X5 E70 DELANTERA	709	26207597649	2

# CASE

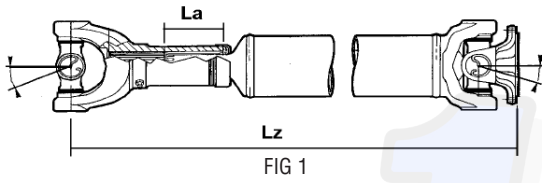


FIG 1

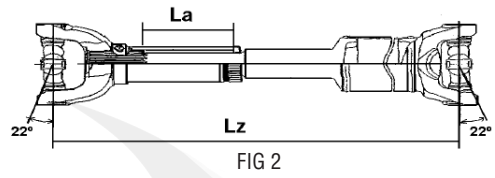


FIG 2

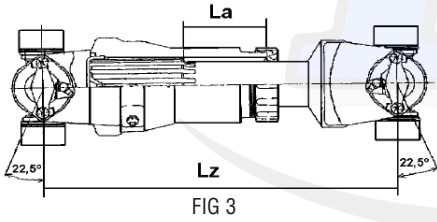


FIG 3

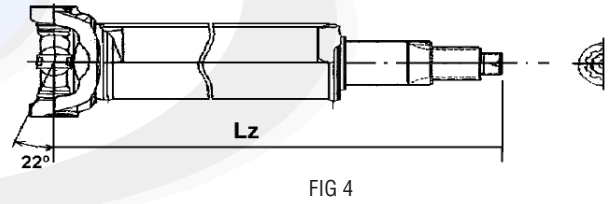


FIG 4

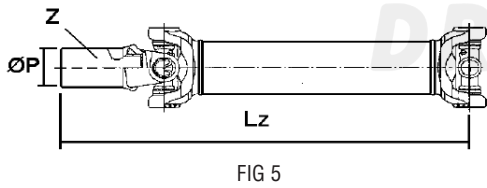


FIG 5

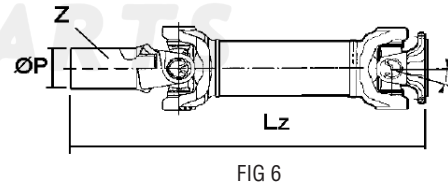
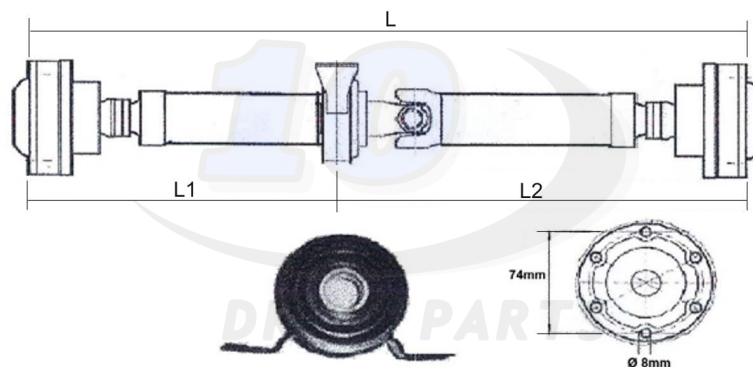


FIG 6

REF. CARDYFREN	Lz	REF. ORIGINAL	FIG.
13503500011128C	1451	D-143185	1
13503104011217	1217	1349244C1	6
15503600000753C	753,8	L-127279	2
16103600000897C	897	L-125185	2
1550940000205C	205	L-127277	3
1550940000167C	166,9	L-127278	3
15503500001030C	1030		1
1610940000200C	200	L-125803	3
1610940000200C	220	L-125803	3
15503700000670C	670,3	L-127280	4
15503700000630C	630,3	L-127281	4
16103700000671C	671	L-125183	4
1310340201615C	615	D-129436	5
1310310401267C	267,3		6
1310310501243C	243	D-87453	

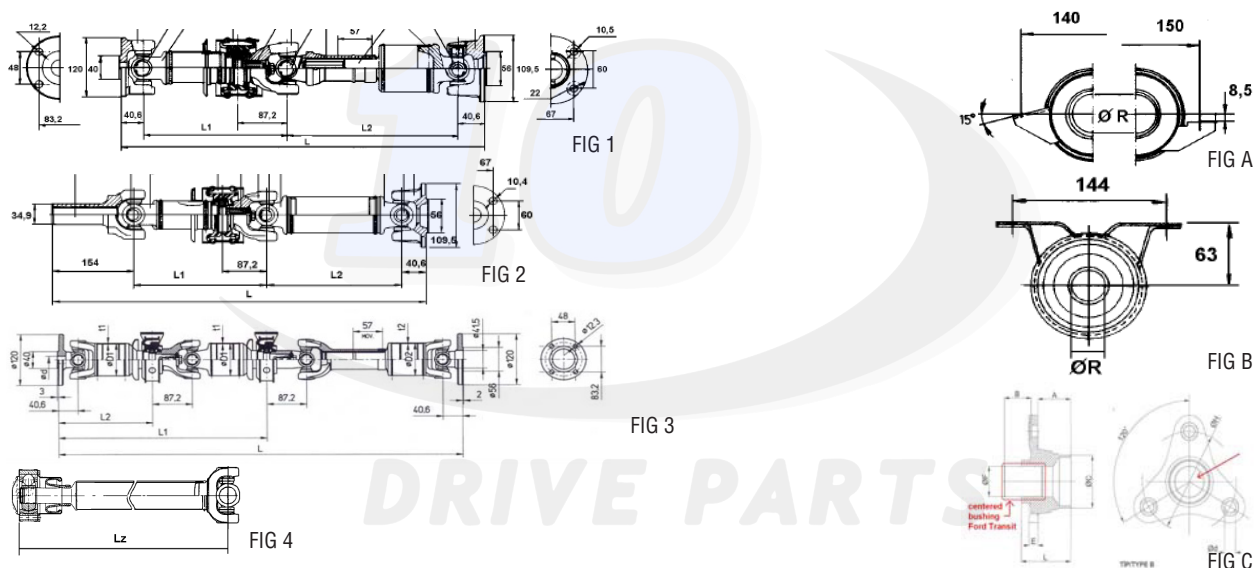


# FIAT



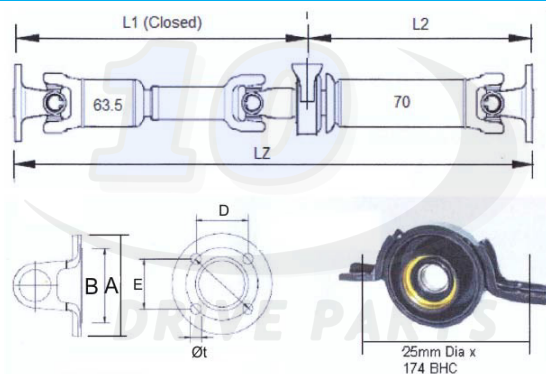
REF. CARDYFREN	MODELO	L	REF. ORIGINAL
FIPA001728	FIAT PANDA 4x4	1728	55193595 / 55222107

# FORD



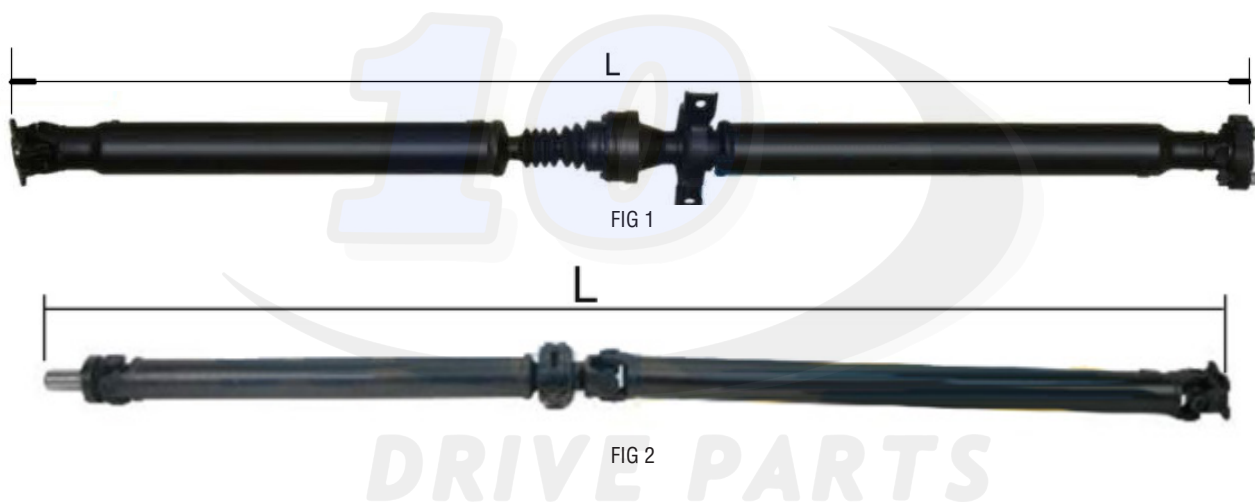
REF. CARDYFREN	MODELO	Lz	REF. ORIGINAL	FIG.
FDTR9201021866R	TRANSIT	1866	88VB-4K145-AB	1A
FDTR9201021985P	TRANSIT	1985	92VT-4K145-B1A	1C
FDTR8902011725L	TRANSIT	1725	90PT-4602-DA	2B
FDTR0001012688P	TRANSIT	2688	92VT-4K357-A1C	3C
FDTR0001012688P-WR	TRANSIT	2688	92VT-4K357-A1C	3C
FDTR0001012688-548	TRANSIT	2688	92VT-4K357-A1C	3C
FDEX26010700	EXPLORER	700		4

## HONDA



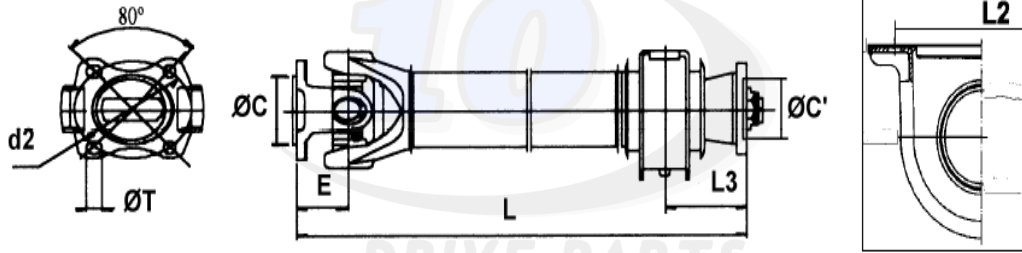
REF. CARDYFREN	MODELO	Lz	REF. ORIGINAL
HCRV9201012100	HONDA CRV	2100	40100S10003 / 40100S10A01

## HYUNDAI



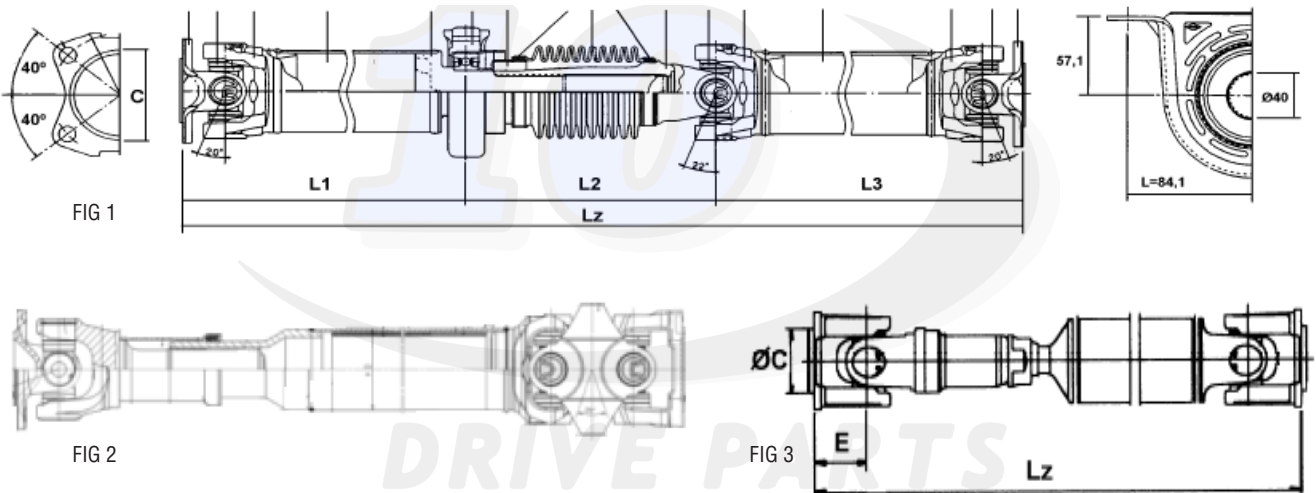
REF. CARDYFREN	MODELO	L	REF. ORIGINAL	FIG.
HY92TC1962	TUCSON	1960-2000	49300-0L0000	1
HY92SF2070	SANTA FE	2070-2100	49300-26103	1
HY89H12115	H1 (FURGONETA)	2115		2

# ISUZU



REF. CARDYFREN	MODELO	Lz	REF. ORIGINAL
HCRV9201012100	HONDA CRV	2100	40100S10003 / 40100S10A01
AUA4921480	A4	1480	8K0521101G

# IVECO



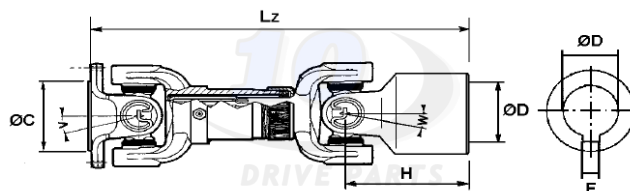
REF. CARDYFREN	MODELO	Lz	FIG.
1310920707????*	DAILY	??*	1
1310920101????*	DAILY	??*	1
1410920505????*	DAILY	??*	1
1410920101????*	DAILY	??*	1
	MASSIF	984	3
	MASSIF	673	3
	MASSIF	687	2

\* Longitud (Lz) deseada del cardan en milímetros.

Ej: 14109201010570 será Lz=570

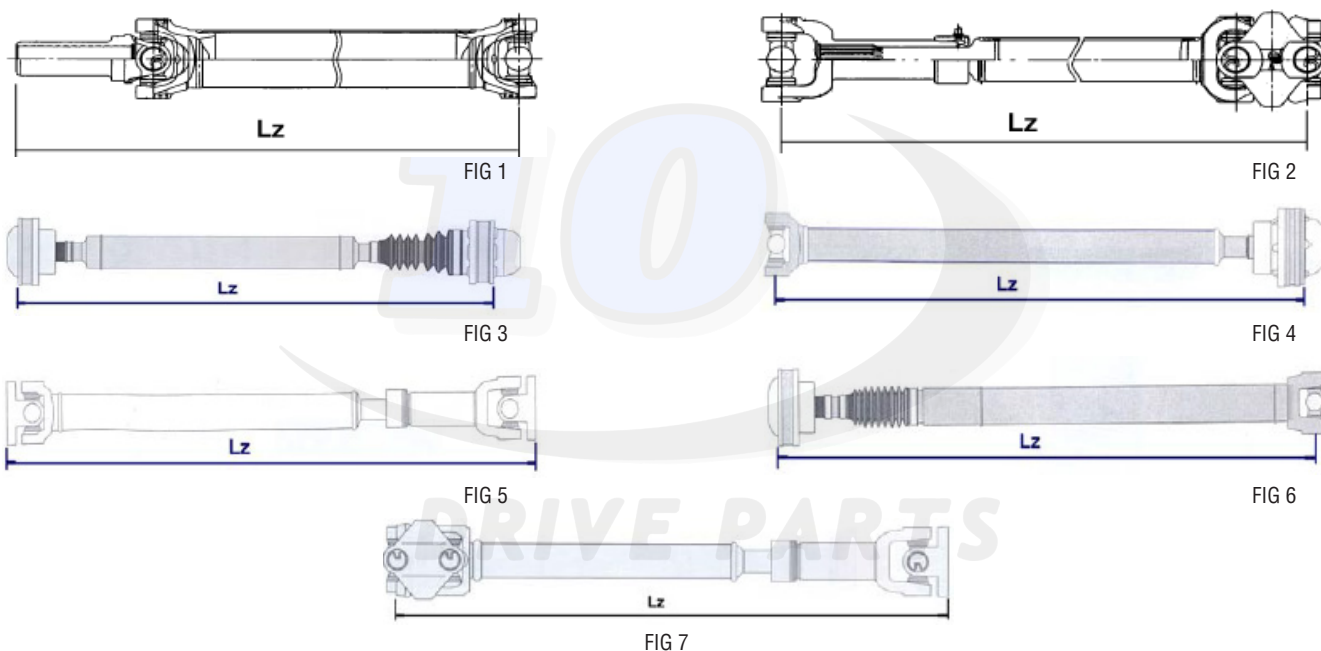
\*\* Se deberá indicar L1, L2 y L3 en milímetros (FIG 1).

# JCB



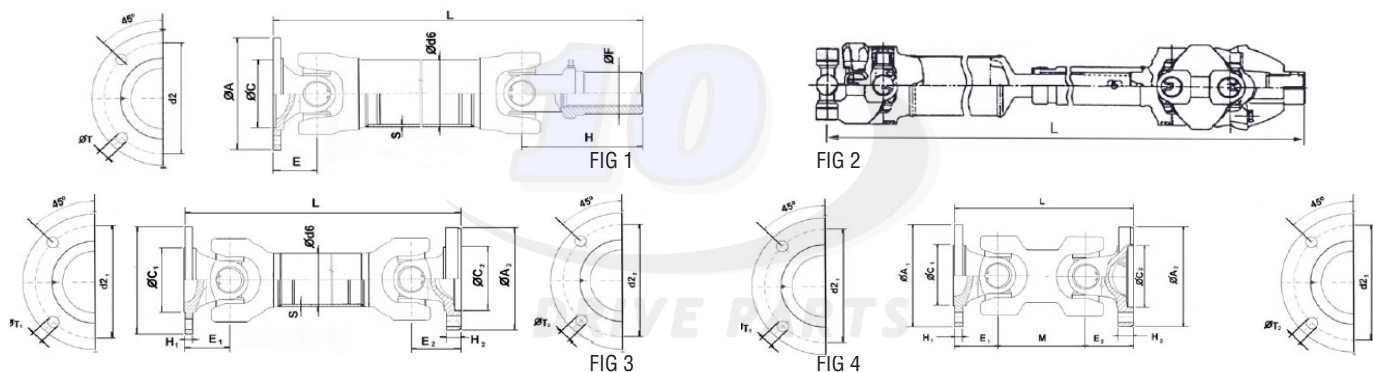
REF. CARDYFREN	Lz	REF. ORIGINAL
1310380528300J	300	914/37400
1310380525300J	300	914/44500
1310380531300J	300	914/35000
1310380131300J	300	914/31000

# JEEP CHEROKEE



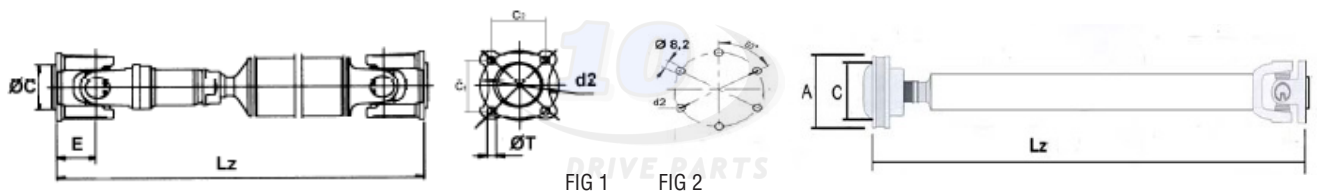
REF. CARDYFREN	MODELO	Lz	REF. ORIGINAL	FIG.
JPCH34011044	CHEROKEE TD 87 Transf. Pte. trasero	1044	53003241 / 52098207	1
JPCH93010778	CHEROKEE 4L 6 Cil. 86 Transf. Pte. delantero	778,8	53005542	2
JPCH93020642	CHEROKEE TD 86 Transf. Pte. delantero	642,9	53005541	2
JPCH34010909	CHEROKEE 4L 6 Cil. 86 Transf. Pte. trasero	909,8	53003246	1
JPCH34010669	GRAND CHEROKEE 5,2L	669	52099156	1
JPCH93030834	GRAND CHEROKEE 5,2L	834,9	53008427	2
JPCH76010830	CHEROKEE	830-870	52099497AE	3
JPCH26010835	JEEP CHEROKEE (Versión con cruceta)	835	52099497AE	5
JPCH76010800	CHEROKEE	800-840	52099499AE / AG	3
JPCH76010790	CHEROKEE	790-830	52099498AE	3
JPCH26010780	JEEP CHEROKEE (Versión con cruceta)	780	52099498AE	5
JPCH77010860	JEEP	860-890	52853027AA	6
JPCH78010740	JEEP GRAND CHEROKEE (Versión con cruceta)	740-890		7
JPCH3600000890	JEEP CHEROKEE	890		

El uso de referencias originales se realiza únicamente con propósitos comparativos.



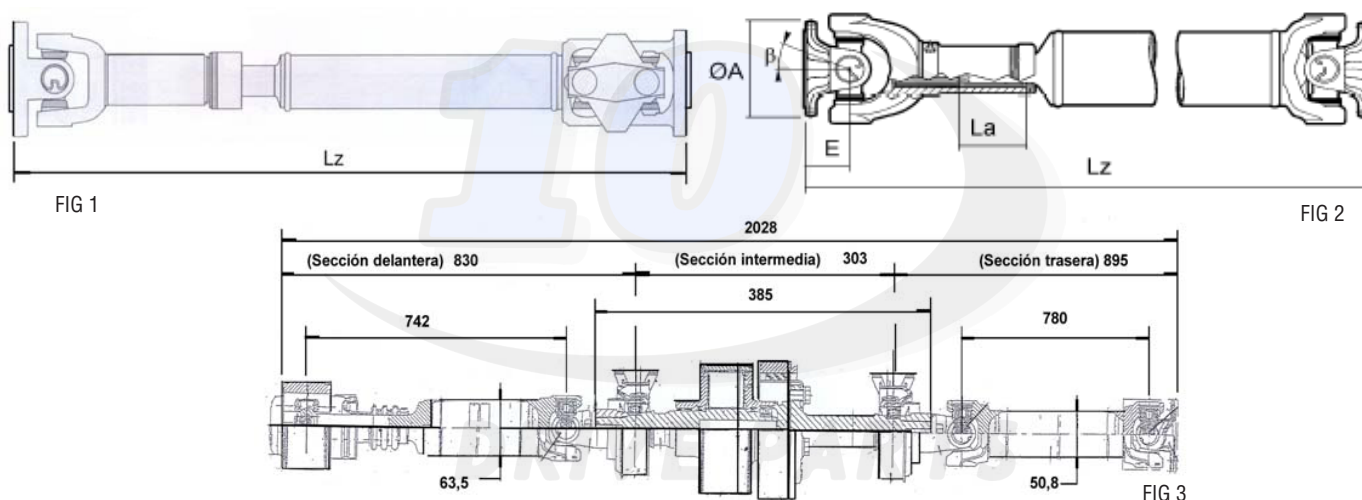
REF. CARDYFREN	L/Lz	REF. ORIGINAL	FIG.
00533105IN011420	1420		1
0053314790-15-02	661	AL115237	1
0053314790-14-02	703	AL114147	1
0053314790-11-02	1735	AL111287 (AL81418)	1
0053314790-10-02	1803	AL111283 (AL81419)	1
0053314790-07-02	1585	AL111359	1
9095320111	468	AT49124	2
9095320411	544	AT76644	2
9095320521	577	AT51688	2
9141530417	620	AT83588 (23X12200C)	2
9141530517	645	AT83601	2
0043954750-04-02	238	AL113394 (AL111297)	3
0043954750-02-02	296	AL113392 (AL79498)	3
0043954750-08-02	318,5	AL113398 (AL111284)	3
0043954750-03-02	336	AL113393 (AL111281)	3
0043954750-05-02	368	AL113395 (AL79772)	3
0043954750-09-02	406	AL113390 (AL111286)	3
0043954750-06-02	408	AL113396 (AL111280)	3
0043954750-01-02	466	AL113391 (AL79499)	3
0043954750-07-02	506	AL113397 (AL111282)	3
0043287610-03-02	183	AL111285A	4
0043287610-02-02	198	AL79771	4
0043287610-04/02	192	AL77610	4
	362	AL77611	4

# KIA



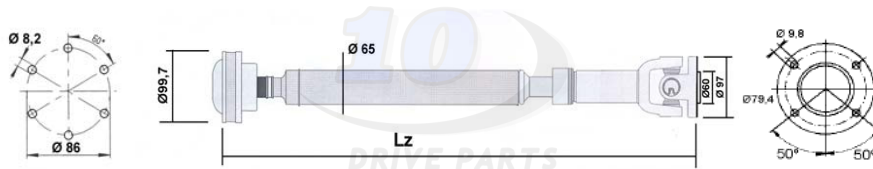
REF. CARDYFREN	MODELO	Lz	REF. ORIGINAL	FIG.
KIA266060640	SORRENTO	640	49100-3E420	1
KIA266060646	SORRENTO	646	49100-3E000	1
KIA266060660	SORRENTO	660	49100-3E100	1
KIA266060675	SORRENTO	675	49100-3E110	1
KIA2660601107	SORRENTO	1107	49100-E200	1
KIA2660601097	SORRENTO	1097	49100-E300	1
KIA8760940646	SORRENTO	636	49100-3E050	2
KIA8760940654	SORRENTO	646	49100-3E150	2

# LAND ROVER



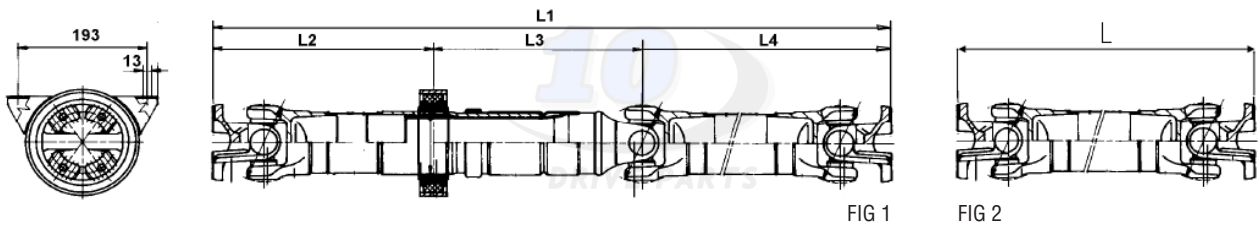
REF. CARDYFREN	MODELO	Lz	REF. ORIGINAL	FIG.
13102601010600	DISCOVERY	600		2
13002601010660	DEFENDER / RANGE ROVER	660		2
LRDI260101H604	DISCOVERY	604		1
LRDI260101H548	DISCOVERY 2 DELANTERA 2.5L	610	TVB000100	1
13102601010529	88	529	553.001	2
1310260101574	88 / 109 DELANTERA	574	553.000	2
1310 2601010960	109 TRASERA	960	553.002	2
14FCVT01	FREELANDER SECCIÓN DELANTERA	830	TVB000090	3
R/VC1	FREELANDER SECCIÓN INTERMEDIA	303	R/VC1	3
TVB000190	FREELANDER SECCIÓN TRASERA	895	TVB000190	3
14SFT14/0001	TRANSMISION FREELANDER COMPLETA	2028	TVB000310	3

## SANTANA ANIBAL



REF. CARDYFREN	Lz	REF. ORIGINAL
201587CV0101652	652	PS.301055
201587CV0101865	865	PS.301056
201587CV0101630	630	PS.301000
201587CV0101893	893	PS.301020

## MAN - IVECO



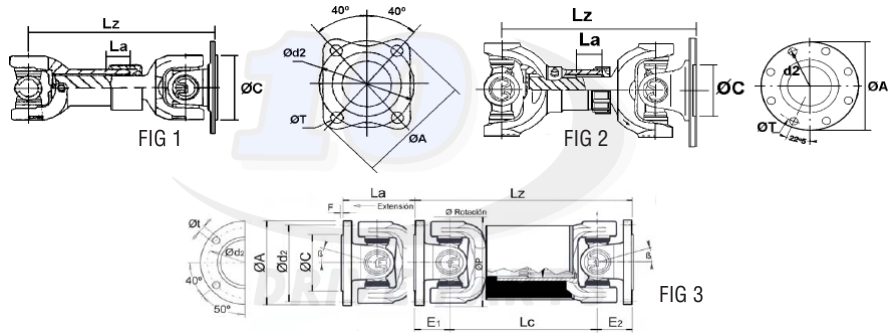
REF. CARDYFREN	MODELO	Lz	FIG.
01959201012???*	L-2000 (DOS TRAMOS)	?**	1
01952601011???*	L-2000 (UN TRAMO)	?*	2

\* Longitud (Lz) deseada del cardan en milímetros.

Ej: 14109201010570 será Lz=570

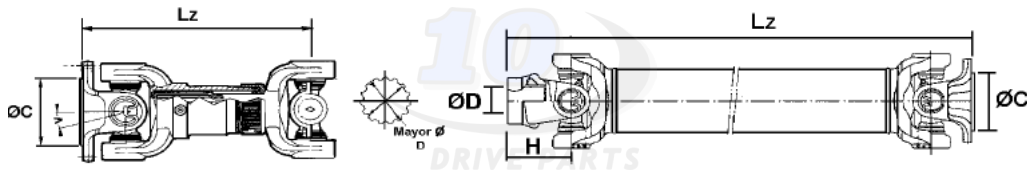
\*\* Se deberá indicar L1, L2 y L3 en milímetros (FIG 1).

# MANITOU



REF. CARDYFREN	Lz	REF. ORIGINAL	FIG.
1210070002188M	188	186173	1
1410070002273M	173	77369	2
1300130101300	300	226235	3

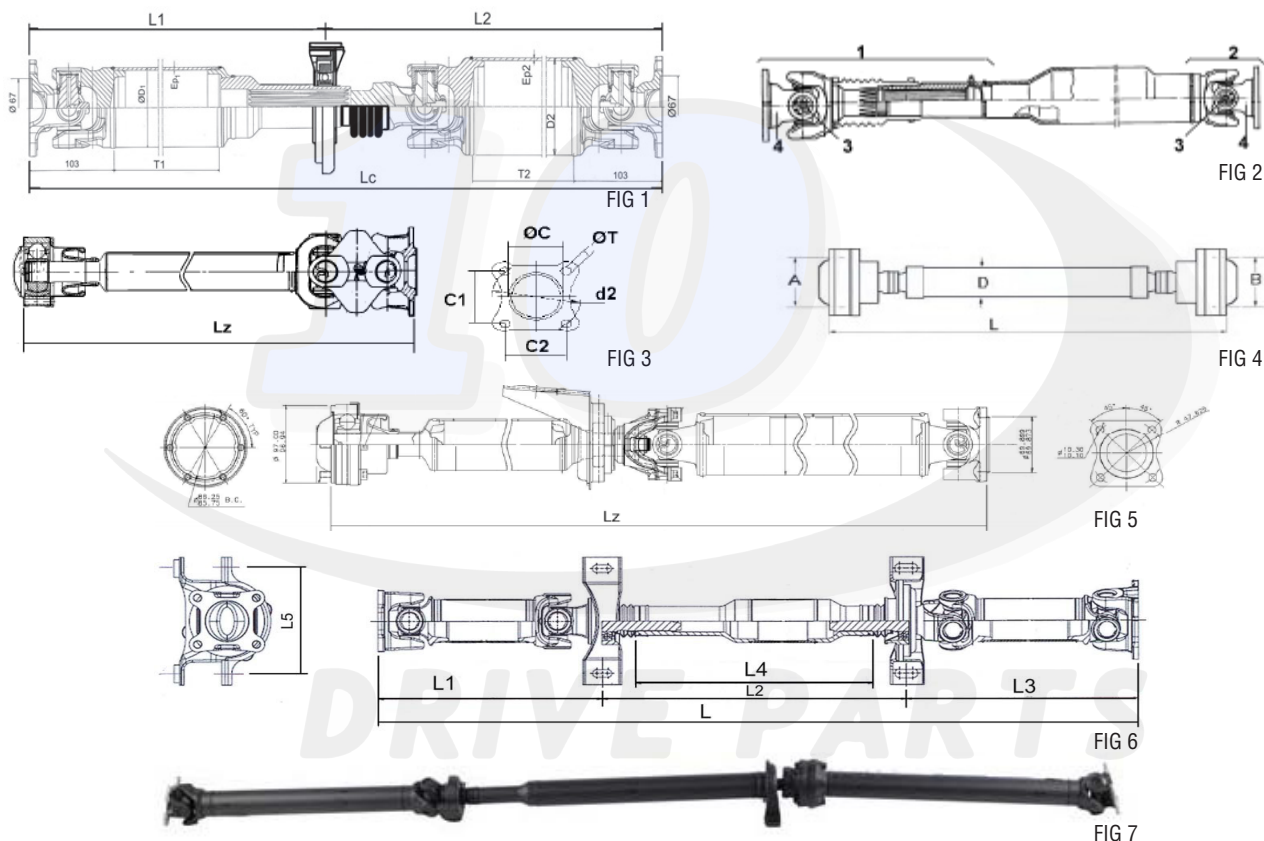
# MASSEY FERGUSON (FERMEC)



REF. CARDYFREN	Lz	REF. ORIGINAL
1310310516409F	408,7	MFM3522228M95
1310310516420F	420	
1480390116205F	295	



# MERCEDES BENZ



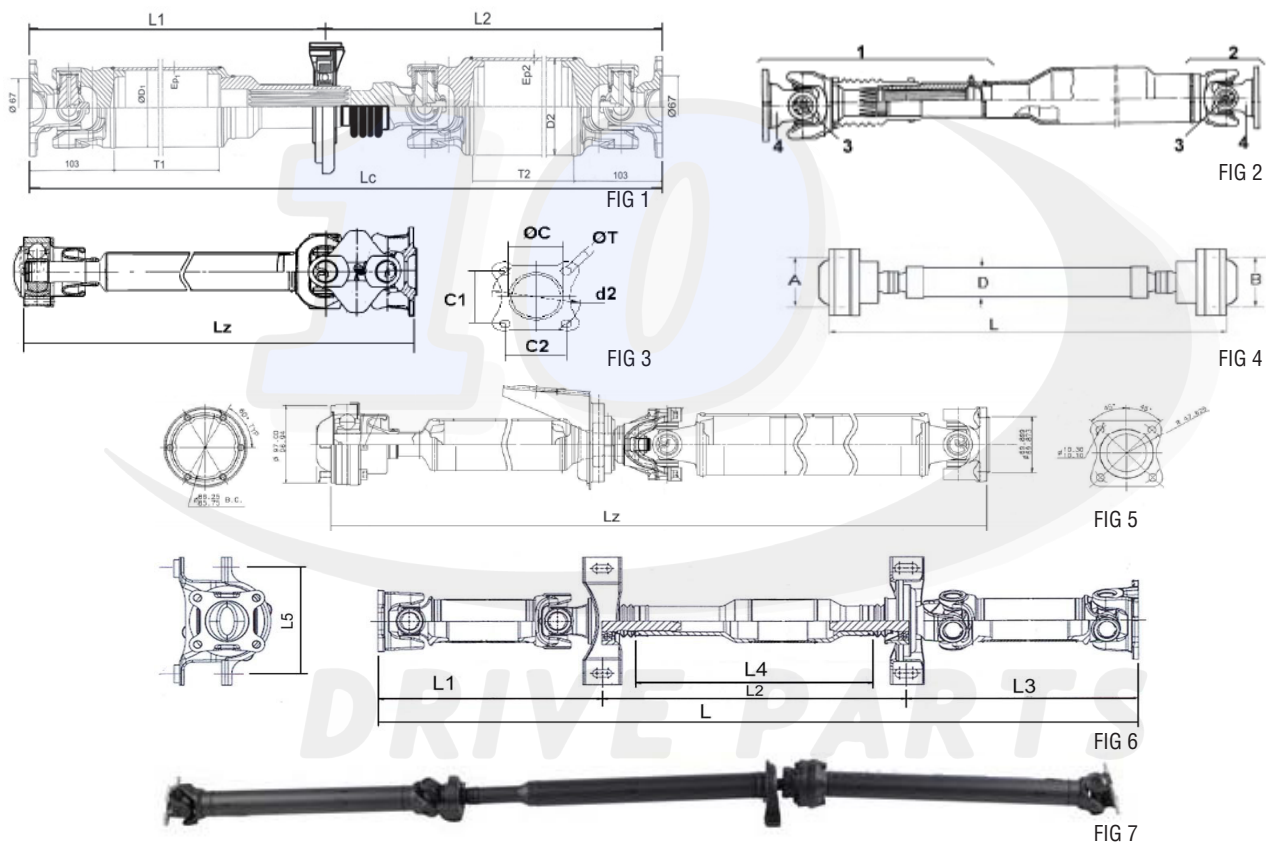
REF. CARDYFREN	MODELO	Lz	REF. ORIGINAL	FIG.
MBSP9201012???*	SPRINTER (PLATO REDONDO)	?**		1
MBSP2601011???*	SPRINTER (PLATO REDONDO)	?**		2
MBSP2601012724	SPRINTER (PLATO REDONDO)	2724	9014107406	2
	SPRINTER (PLATO REDONDO)	2076	9014106406	2
MBSP2602021102T/80	SPRINTER (PLATO CUADRADO)	1102		2
MBSP2602021217T/80	SPRINTER (PLATO CUADRADO)	1217		2
MBSP2602021120T/80	SPRINTER (PLATO CUADRADO)	1120		2
MBSP2602021200T/80	SPRINTER (PLATO CUADRADO)	1200		2
MBSP170202853T/70	SPRINTER (PLATO CUADRADO)	853	A9064100201	
MBMC 73010571	DAIMLER CHRYSLER M		1634100101	3
MBMC 73010696	DAIMLER CHRYSLER M		1634100201	3
MBMC 73010717	DAIMLER CHRYSLER M		1634100901	3
MBMC 73010766	DAIMLER CHRYSLER M		1634100301	3
MB92027SB820001-1	DAIMLER CHRYSLER M		A1624100402	5
MB92027SB820001-2	DAIMLER CHRYSLER M		A1634101202-A8	5
MB92027SB820001-4	DAIMLER CHRYSLER M		A1634100702	5
MB92027SB820001-5	DAIMLER CHRYSLER M		A1634100802	5

\* Longitud (Lz) deseada del cardan en milímetros.

Ej: 14109201010570 será Lz=570

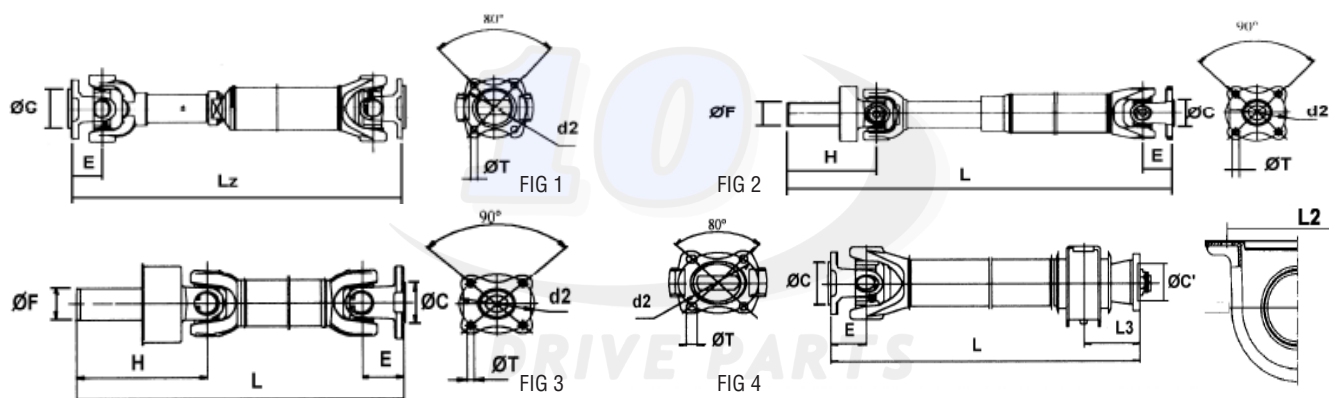
\*\* Se deberá indicar L1 y L2 en milímetros (FIG 1).

# MERCEDES BENZ



REF. CARDYFREN	MODELO	Lz	REF. ORIGINAL	FIG.
	MB ML (NUEVA)	620/25	A1644100701	4
MBVI00 2211	VITO	2211	A6394103206	6
MBVI00 2240	VITO	2240	A6394103006	6
MBVI00 2373	VITO	2372	A6394103506	6
MBVI00 2469	VITO	2469	A6394103106	6
MBVI00 2143	VITO	2143	A6394103406	6
MBVI00 2441	VITO	2441	A6394103306	6
MBVI00 2173	VITO	2173	A6394103606	6
MBVI00 2403	VITO	2403	A6394103706	6
MBVI00 2140	VITO	2140	A6394108406	6
	VIANO	2440	A6394103306	7
	VIANO	2143	A6394103406	7
	VIANO	2143	A6394101716 / A6394106706	7
	VIANO	2211	6394106506 / A6394101516	7
	VIANO	1903	A6394107506	7
	VIANO	2405	A6394107106 / A6394102016	7
	VIANO / VITO	2176	A6394107006 / A6394101916	7
	VIANO / VITO	2206	A6394103416	7

# MITSUBISHI



REF. CARDYFREN	MODELO	L/Lz	REF. ORIGINAL	FIG.
MT265141395	CANTER	1010	ML130009	1
MT265141396	CANTER	1230	ML130007	1
MT265141397	CANTER	1215	ML130011	1
MT265141400	CANTER	1400	ML130013	1
MT265141401	CANTER	1140	ML130288	1
MT265131227	CANTER	889	ML130286	1
MT265131226	CANTER	914	ML130227	1
MT265131207	CANTER	959	ML130006	1
MT265131206	CANTER	999	ML130004	1
MT265131205	CANTER	1069	ML130002	1
MT315130318	PAJERO / MONTERO	994	MR953726	2
MT315130317	PAJERO / MONTERO	822	MR953725	2
MT315130308	PAJERO / MONTERO	969,5	MR553800	2
MT315130307	PAJERO / MONTERO	800,5	MR553799	2
MT315112004	PAJERO / MONTERO	658,5	MR553798	3
MT3145240780	PAJERO / MONTERO	780		3
	PAJERO / MONTERO	658		3
	PAJERO / MONTERO	747		3
	PAJERO / MONTERO	800		3
MT985131539	CANTER	921,5	ML130278	4
MT985131538	CANTER	961 5	ML130276	4
MT98 5131537	CANTER	626,5	ML130274	4
MT98 5131531	CANTER	606,5	ML130226	4
MT98 5131528	CANTER	926,5	ML130003	4
MT98 5131527	CANTER	966,5	ML130005	4
MT98 5141559	CANTER	1178	ML130284	4
MT98 5141558	CANTER	928	ML130282	4
MT98 5141557	CANTER	728	ML130280	4
MT98 5141553	CANTER	1273	ML130012	4
MT98 5141551	CANTER	1018	ML130010	4
MT98 5141550	CANTER	818	ML130008	4

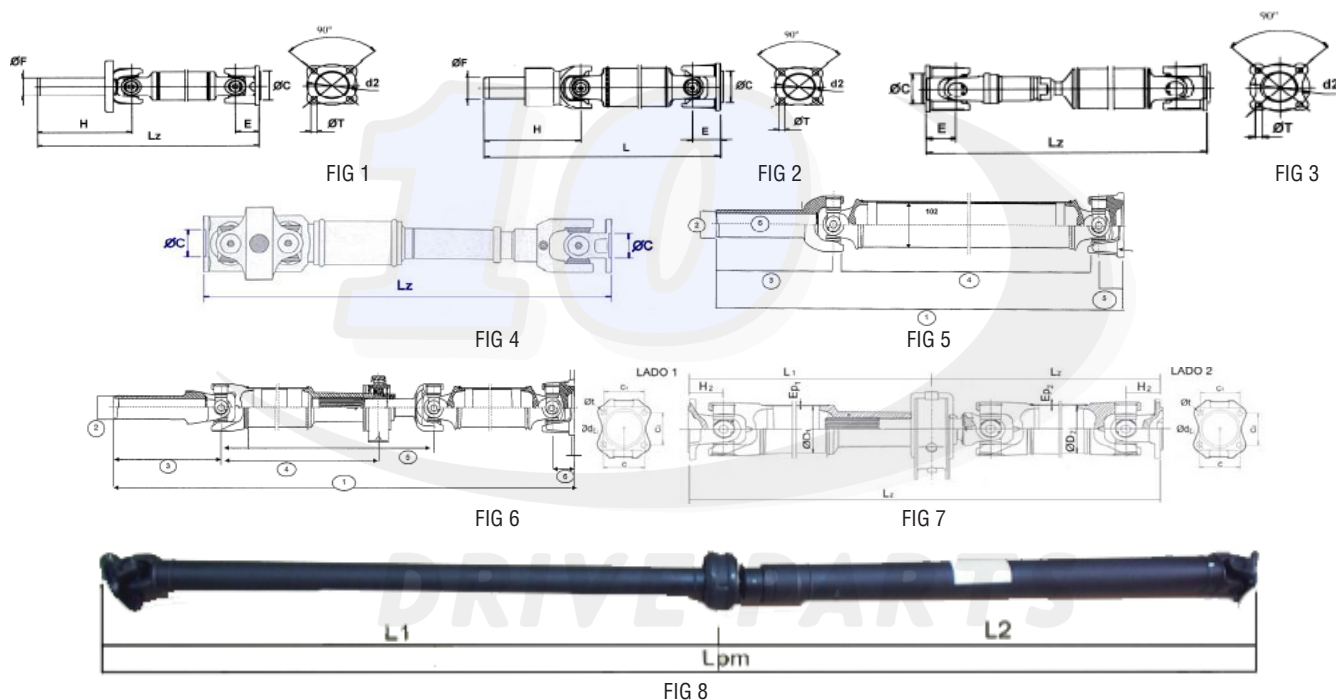


FIG 8

REF. CARDYFREN	MODELO	L/Lz	REF. ORIGINAL	FIG.
NS315130316	TERRANO	967,5	37300-2X960	1
NS315130315	TERRANO	1167,5	37300-2X920	1
NS315130314	TERRANO	986,5	37300-2X910	1
NS315130313	TERRANO	1186,5	37300-2X900	1
NS315130312	TERRANO	942,5	37300-2X810	1
NS315130311	TERRANO	1142,5	37300-2X800	1
NS265112006	TERRANO	616	37000-2X900	3
NS265112003	TERRANO	639	37000-2X800	3
NS315114084	SERENA	833,5	37000-7C003	2
NS315114083	SERENA	768,5	37000-7C002	2
NS315114082	SERENA	673,5	37000-7C001	2
NS315114081	SERENA	738,5	37000-7C000	2
NS315114072	SERENA	928,5	37000-9C503	2
NS315114105	TRADE	1118,5	37000-F3801	2
NS265131056	PATROL	660		3
NS265131110	PATROL	1104		3
NS265131102	PATROL	745		3
NS916565520	PATROL	520		4
NS916565500	PATROL GR	500		4
	PATROL	935	37200-G9801	4
NS265131196	TERRANO II TD 2.7	533	37200-0F000	3
NS315131197	TERRANO II TD 2.7 (3d)	953,5		1
NS315131198	TERRANO II TD 2.7 (5d)	1154	37300-7F602	1
NS315131208	TERRANO II TD 2.7 (3d)	997,5	37300-7F003	1
NS315131209	TERRANO II TD 2.7 (5d)	1198	37300-7F603	1
NS265131214	CABSTAR	1557	37300-F3900	3

# NISSAN

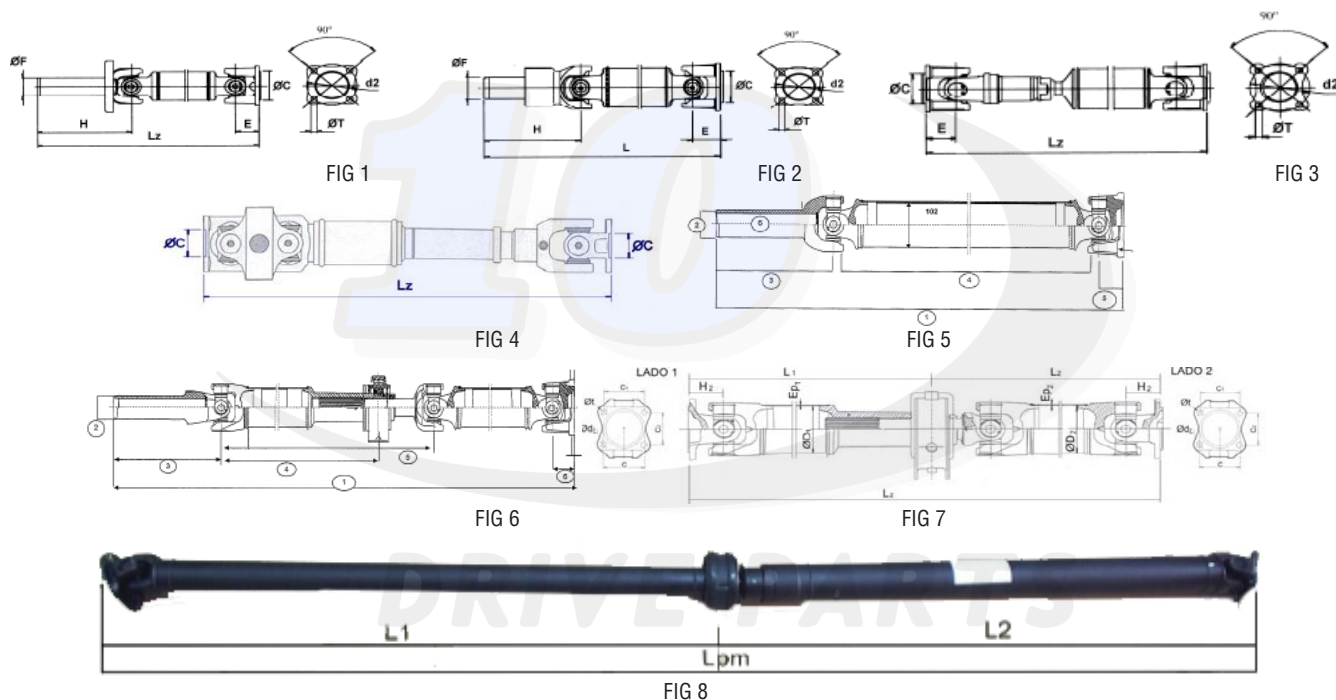
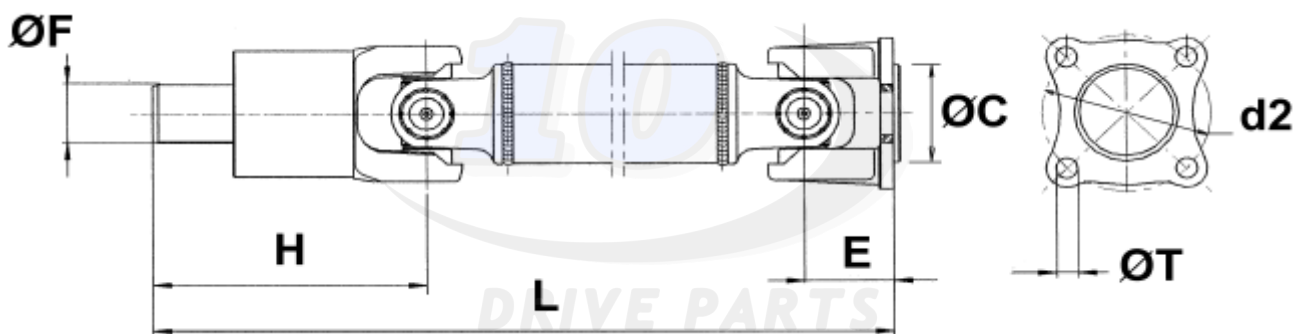


FIG 8

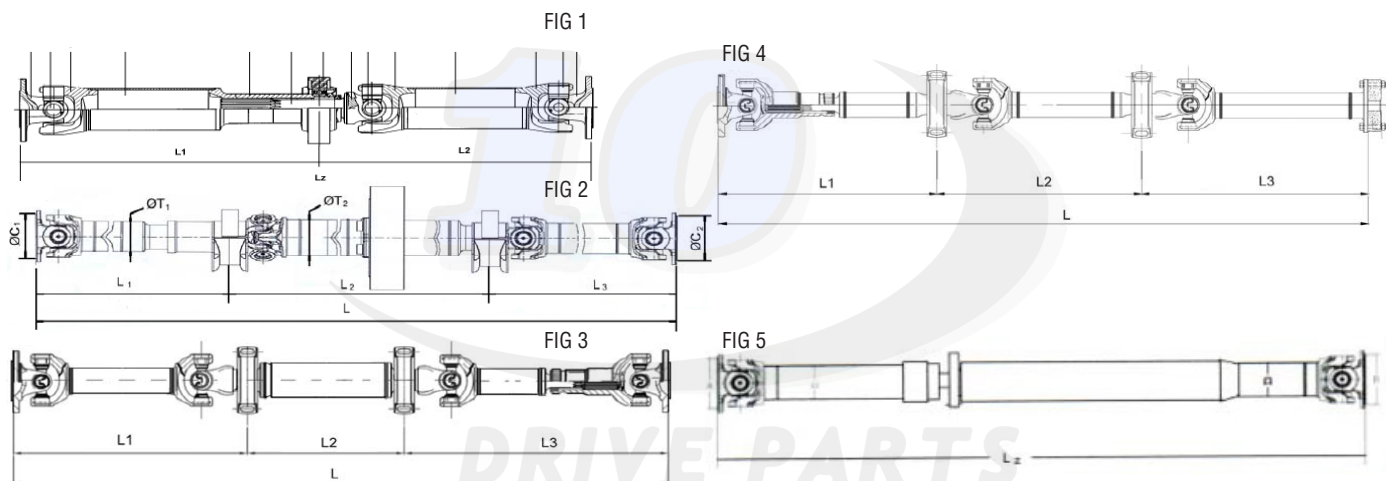
REF. CARDYFREN	MODELO	Lz	REF. ORIGINAL	FIG.
NS26 5131194	CABSTAR	1063	37300-F3600	3
NS925515996	CABSTAR	1833	37000-9X605	3
NS925515994	ATLEON	1502	37000-9X501	
NS26 5515313	ATLEON	1118	37300-9X502	
NS925515995		2000	37000-9X502	3
NS895131975	CABSTAR	1562	37000-F3903	
	CABSTAR	1093,5	37000-F3905	2
NS175131535	CABSTAR	1076	37200-F3901	
NS895013271-1	NAVARA	1522,9	37300-EB401 37300 3 X 33A	5
NS895013372-1	NAVARA	1522,9	37300 3 X 32A	5
NS895015372-1	NAVARA	1522,9	5010770 37300-EB406	5
NS315131960	NAVARA	1949		6
NS315131961	NAVARA	1942	37000-EB30C	6
NS2657570785	NAVARA	785	37200-EB300	3
NS9204NI01 2575	CABSTAR	2575	37000-9X609	7
NS895013271-1	PATHFINDER	1137	37300-EB30A	5
NS9250204964	QASHQAI X-TRAIL	1984 ±20	37000-BR50B	8
NS9250204961	QASHQAI X-TRAIL	1999 ±20	37000-BR51A 37000-JG70A 3700-BR51A	8

## PIAGGIO



REF. CARDYFREN	MODELO	L	REF. ORIGINAL
PG315114086	PORTER	625,5	5114117
PG315114087	PORTER	670,5	37110-87Z23-A
PG315114088	PORTER	455,5	565340
PG315114089	PORTER	640,5	615341 / 565341
PG315114090	PORTER	445,5	615344 / 37110-87Z22-A
PG315114093	PORTER	515,5	615339 / 37110-87Z24
PG315114094	PORTER	497,5	615338 / 37110-87Z19-A
PG315114097	PORTER	924,5	AG11-0004112
PG315114108	PORTER	839,5	CP11-0008598
PG315114110	PORTER	699,5	CP11-0008908

## RENAULT



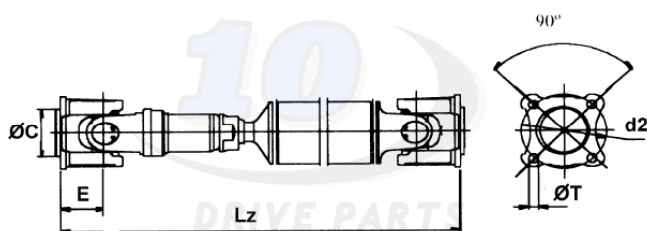
REF. CARDYFREN	MODELO	L	REF. ORIGINAL	FIG.
MS159204041860	MASCOTT	1860		1
MS209204041860	MASCOTT	1660		1
KGRE0001011978	KANGOO 4X4 + ANTIVIBRADOR	1978	8200149811	2
KGRE0001011978	KANGOO 4X4 + VULCANIZADO	1978	8200149811	3
SERE0001011140	SCENIC	1990	8200058705	4
DUDA0001012078	RENAULT- DACIA DUSTER 4X4	2078	370002820R	5

## SANDERSON



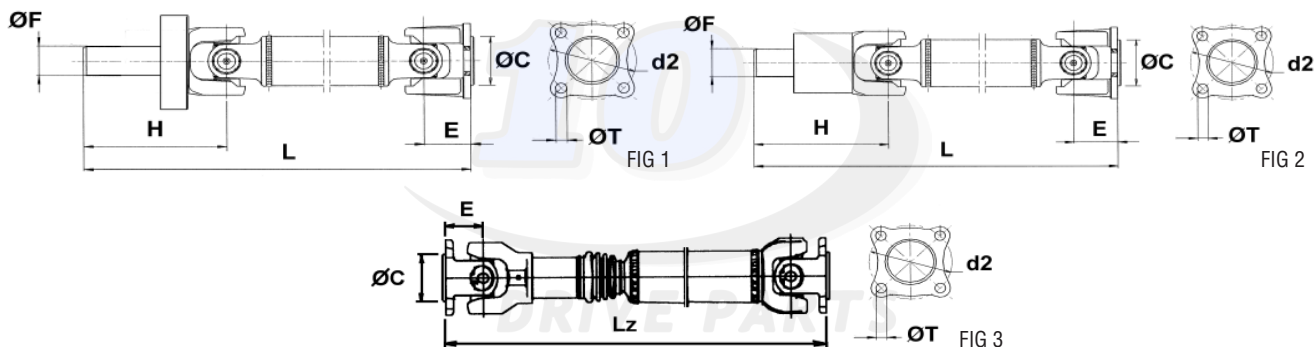
REF. CARDYFREN	Lz
12103901EY181SD	181

## SSANGYONG



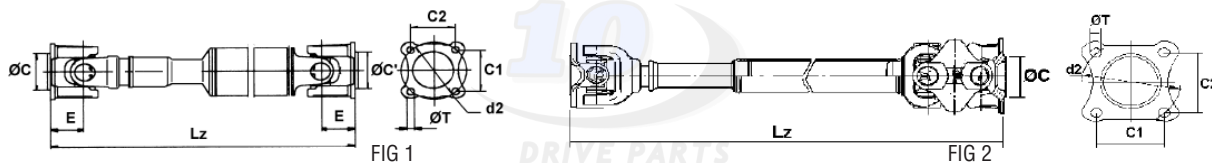
REF. CARDYFREN	MODELO	Lz
SS2651651065	33200-05701	1065
SS2651650668	33100-05701	668
SS2651651203	33200-07000	668
SS2651RX0755	33100-05620	755
SS2651RX0660	33100-05620	660
SS2651RX0668	33100-05701	668
SS2651RX0685	33100-05850	685
SS2651RX0700	33100-08201	700
SS2651RX0690	33100-08611 33100-08621	690
SS2651RX0695	33100-08621 33100-08611	695

# SUZUKI



REF. CARDYFREN	MODELO	L / Lz	REF. ORIGINAL	FIG.
SU315112015	VITARA	680	27101-85C01	1
SU315112016	VITARA	896	27102B-60A01	1
SU315112017	VITARA	896	27102-60A11	1
SU315130309	VITARA	792	27102-85C10	1
SU315130310	VITARA	1071	27102-67D01	1
SU315114102	VITARA	784	27101-78EA0	1
SU315112013	SAMURAI	403	27101-84C00	2
SU315112012	SAMURAI	382	27101-C-80401	2
SU315112018	SAMURAI	321	27101-84CB0	2
SU265112007	SAMURAI	712	27102-D-80401	3
SU265112008	SAMURAI	505	27103-D-8041	3
SU265112009	SAMURAI (G y D)	694	27102-84C00	3
SU265112010	SAMURAI	488	27103-84C00	3
SU265112011	SAMURAI (L. Body)	833	27103-84C10	3
SU265114101	JIMMY	758	27102-82A00	3

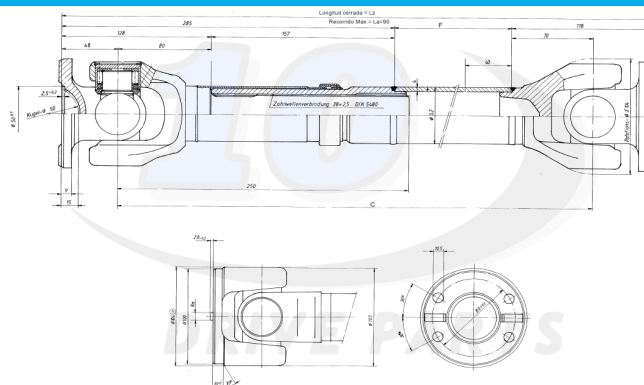
# TOYOTA



REF. CARDYFREN	MODELO	L / Lz	REF. ORIGINAL	FIG.
T02646460600		610	37110-36160	1
T02646460690		740,5	37140-35090	1
T02646461345		1345	37110-35481	1
T02646461325	HJ75 / HXJ75	1325	37110-60380	1
T02646461225		1220	37110-60520	1
T02646461435		1435	37110-60620	1
T02646461000	BU30 RR	1029	37120-36310	1
T09146460600	LAND CRUISER HI-LUX	600	37140-35030	2
T09146460670		670		2

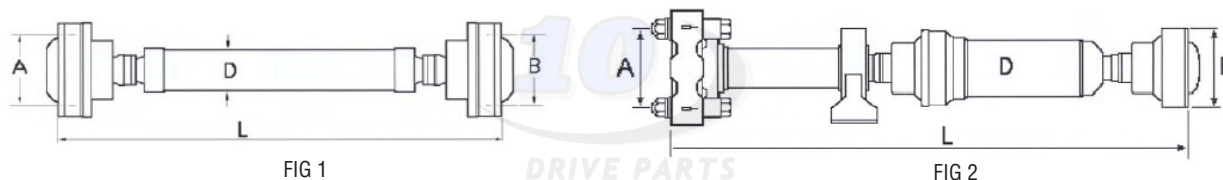


## UNIMOG



REF. CARDYFREN	Lz	REF. ORIGINAL
0200260101605	605	A4375500216
02002601011018	1018	A4424100606
0200260101725	725	
0200260101700	700	A4254102306
02002601011296	1296	
0200260101660	660	A4254102406
0200260101646	646	A4054100206
0200260101936	936	A4254102106
0200260101789	789	A4254102206
0200260101862	862	A4424100706


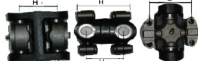
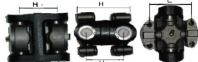
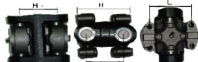


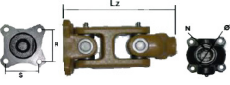



## VOLKSWAGEN



REF. CARDYFREN	MODELO	L	REF. ORIGINAL	FIG.
VWTO76010694	TOUAREG	694,3	7L6521101C/E	1
VWTO76010632	TOUAREG	631,9	7L0521101A/B/C	1
VWAU9228054	TOUAREG	1246,4	7L6521102G 7L0521102B/D/G	2
VWAU9228055	TOUAREG	1185,2	7L6521102D/F	2

FORKLIFT (CARRETILLA ELEVADORA)			
REF. CARDYFREN	MODELO	L / Lz	FIG.
FL660313136	TOYOTA 3F (67310-32080-71)	136	
FL660113175	mitsubishi S6S 3,5/4 Tn. (91871-10050)	175	
FL130101185	MITSUBISHI S6S	185	
FL660113219	KOMATSU G13T. 3,5 / 4 Tn. 3EC-01-32711	219	
FL660115169	TCM 4T (Z-2) G15T (25957-20201)	169	
FL260101360	MITSUBISHI 7T (92001-10090)	360	
FL661601158	MITSUBISHI	158	
FL661001185	MITSUBISHI 1,5T (91371-30020)	185	
FL390113290	MITSUBISHI (4T) S6E	290	
FL130202185	TOYOYA (3.5T) 6F	185	
FL260202360	TOYOYA 7F	360	
FL65030372	YALE ( 2.5 T) (9147-844-01)	72	
FL65040481	YALE (4 T)	81	
FL390113195	MITSUBISHI (2.5T) G13T	195	
FL660110155	MITSUBISHI (2,5/3.5T) G10T (91171-00010/30010/10010)	155	
FL550113155	MITSUBISHI (3.5T) G13T	155	
FL550113165	MITSUBISHI (2.5T) G13T	165	
FL670113200	MITSUBISHI S4S / G13T (91571-00050/70)	215	
FL670113215-0	G13T MITSUBISHI (91571-20010)	215	
FL130205170	TOYOTA (3.5T) 5F (67310-32880-71)	170	
FL390113205	MITSUBISHI (4T) S6E	205	

El uso de referencias originales se realiza únicamente con propósitos comparativos.

FORKLIFT (CARRETILLA ELEVADORA)			
REF. CARDYFREN	MODELO	L / Lz	FIG.
FL680618200	T.C.M. / KOMATSU (4 TALAD.) H. EJE L=83,5 (18T.)	200	
FL695F5F98	TOYOTA (2.5 T) 5F	28,5	
FL694C4C98	mitsubishi S4S	34,9	
FL695C5C98	mitsubishi S4S N	28,5	
FL390711200	HYSTER G11T ; PLATO 87x4x8 45M 38/52;	200	
FL390114258	G14T, NISSAN FD40 (37200-51H00)	258	
FL660110275	G10T, MITSUBISHI 2,5T (91571-10010)	273	
FL130101275	TOYOTA 6T Lz=275 (67310-31630-71)	275	
FL130303160	TOYOTA 4,5T Lz=160 (67310-30520-71)	160	
FL130404213	YALE 5Tn.	213	
FL660213177	mitsubishi 2,5T (91271-00011)	177	